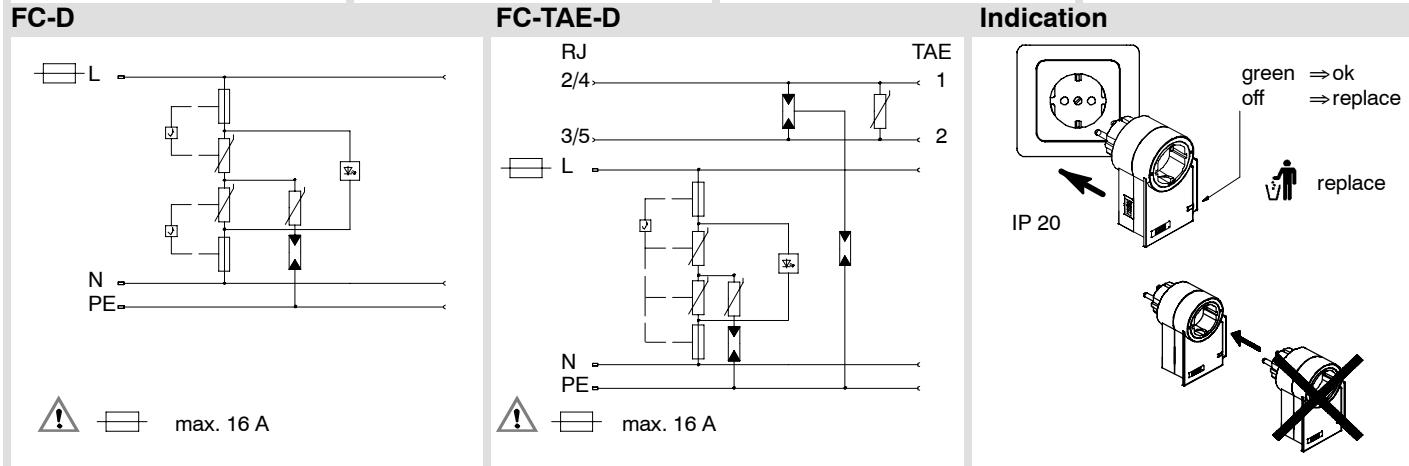


## Technical Data / Technische Daten (Power supply)

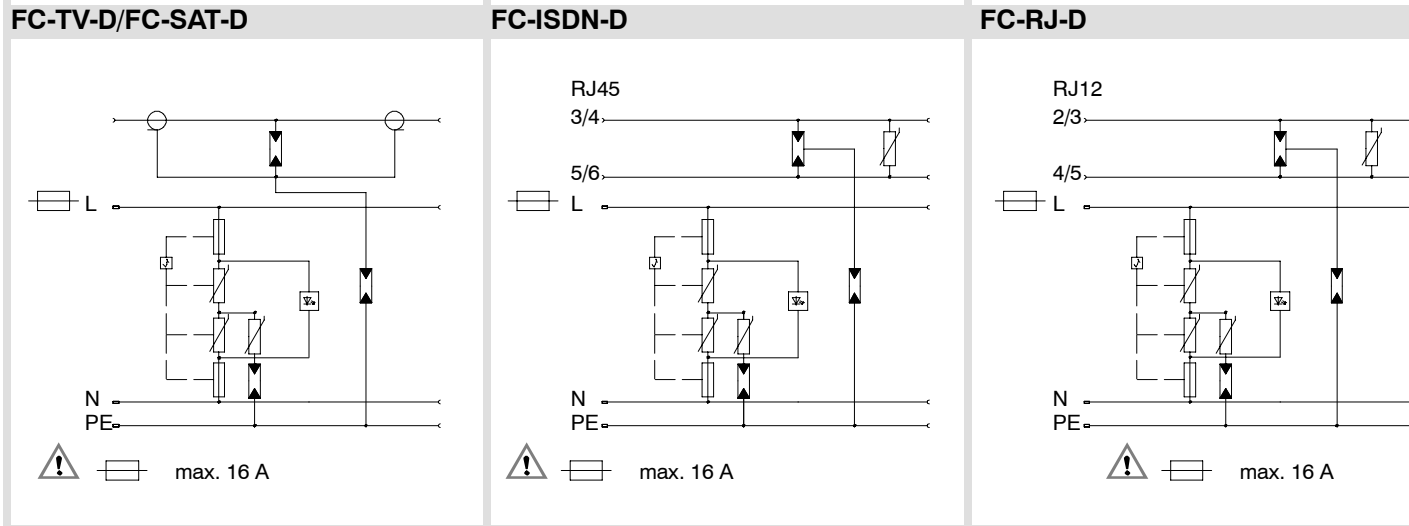
Typ	FC-D	FC-TAE-D	FC-TV-D	FC-SAT-D	FC-ISDN-D	FC-RJ-D
U <sub>N</sub>	230 V (50-60 Hz)					
U <sub>C</sub>	275 V L-N / 360 V L/N-PE (50-60 Hz)					
LPZ	LPZ 2->3 →					
I <sub>n</sub> I <sub>max</sub> (8/20)				3,0 kA 8,0 kA		
max. $\frac{U}{I}$	16 A gL/C					
I <sub>L</sub>	16 A					
U <sub>P</sub> (L/N-PE)	≤ 1,5 kV					
U <sub>P</sub> (L-N)	≤ 1,2 kV					
v °C	- 25 °C - + 75 °C					
IP-Code	20					



## Technical Data (Data-Line)

U <sub>C</sub>	-	200 V (DC)	72 V (DC)	72 V (DC)	6 V (DC)	200 V (DC)
I <sub>n</sub>	-	2,5 kA	2,5 kA	2,5 kA	2,5 kA	2,5 kA
f	-	0-4 MHz	0-2400 MHz	0-2400 MHz	0-300 kHz	0-3 MHz

- Typ 3 EN 61643-11: 2002-12
- LPZ 2->3 IEC 61312-1: 1995-03  
DIN V VDE 0185-4: 2002-11



**Head Office** OBO BETTERMANN GmbH & Co. KG  
 Postfach 1120 · 58694 Menden, Germany  
 Hüngser Ring 52 · D-58710 Menden  
 Tel. +49 (0)2373-89-0 Fax +49 (0)2373-89-238  
 E-Mail: info@obo.de · www.obo-bettermann.com

**Technical Hotline**  
 Telefon +49 (0)2373/89-1500  
 Telefax +49 (0)2373/89-1550  
 E-Mail hotline@obo.de