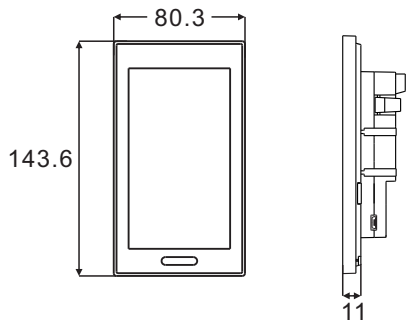
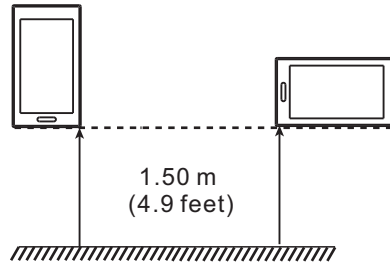


Product dimension (Unit: mm)

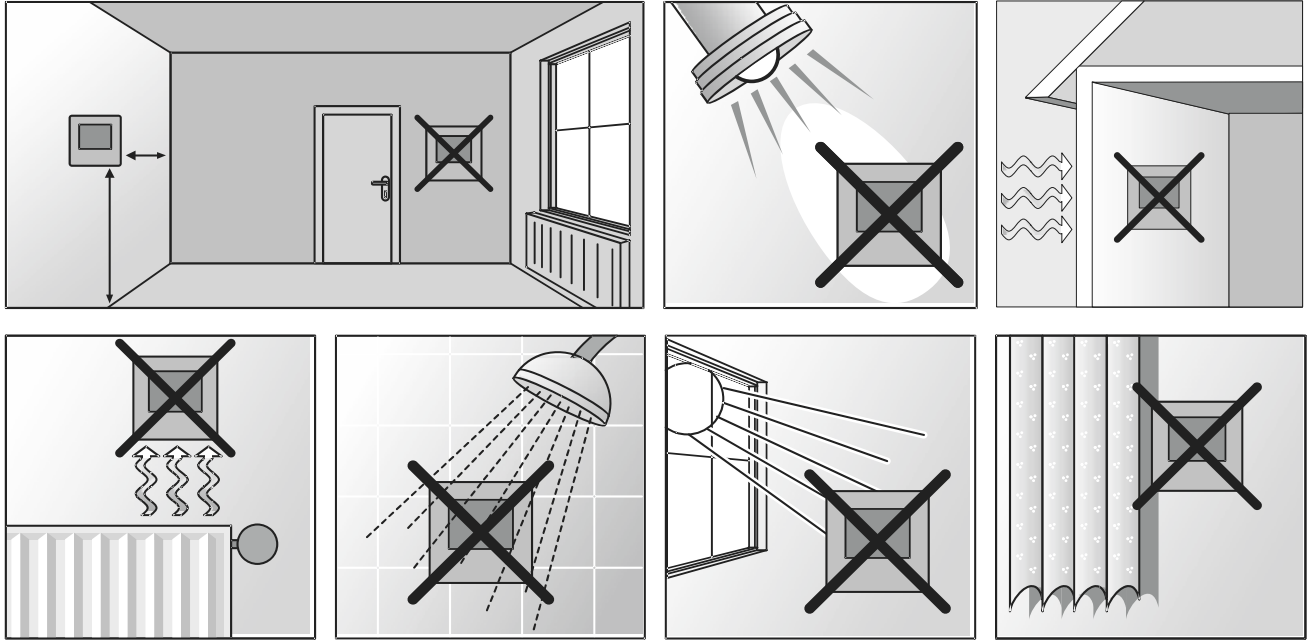


Installation height

Vertical installation      Horizontal installation

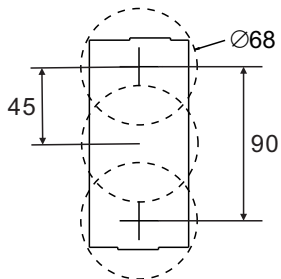


Location



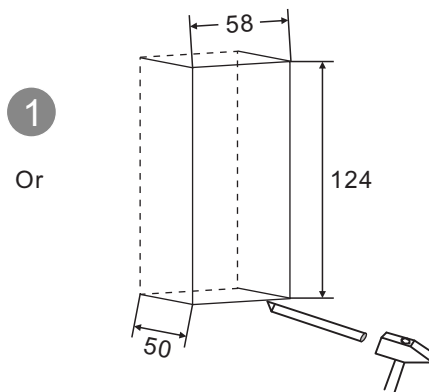
Flush-mounted installation - Vertical installation as a sample (Unit: mm)

Drilling method 1

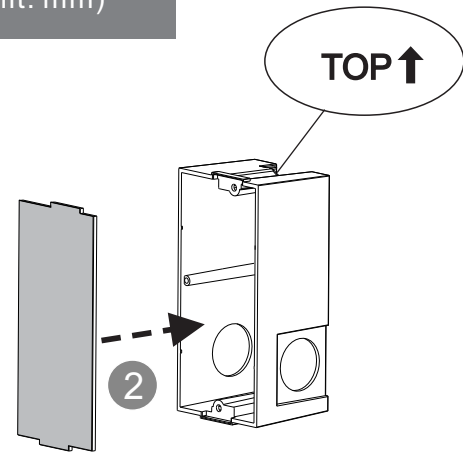


Please refer to the relative mounting sticker at the package shipped with the product.

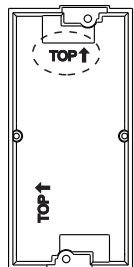
Drilling method 2



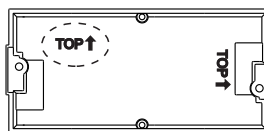
1  
Or



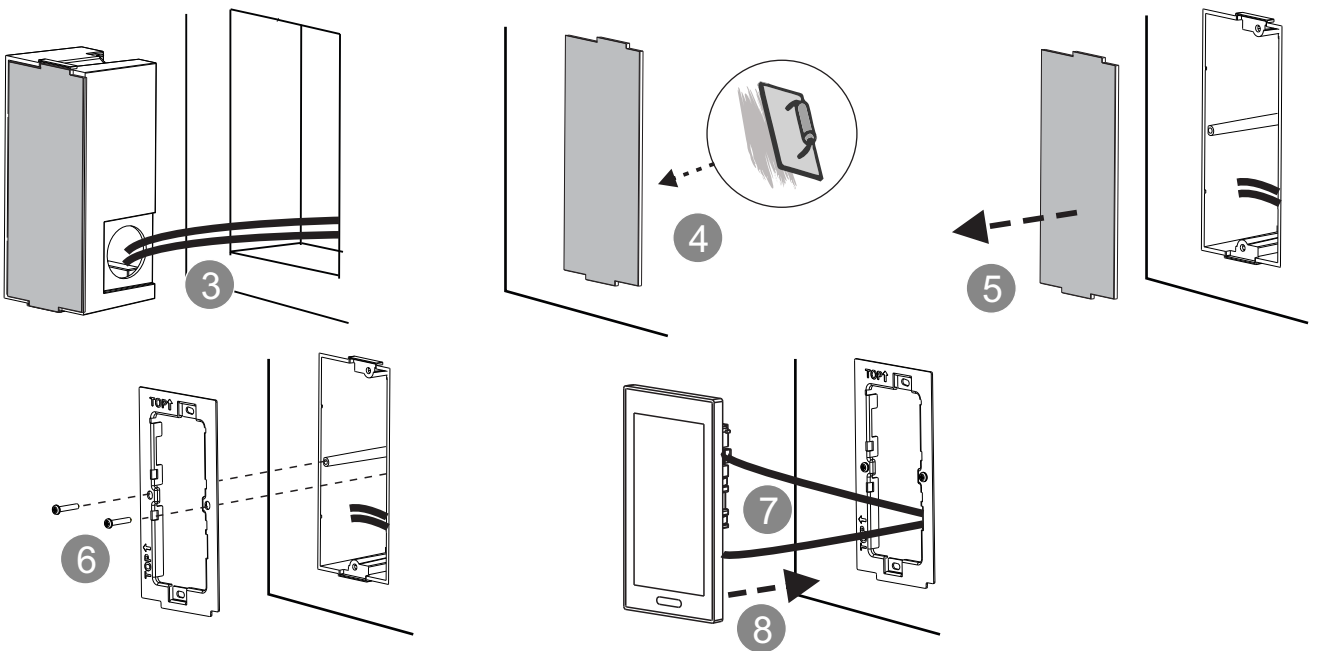
\*Please pay attention to the direction of flush-mounted box when installing.



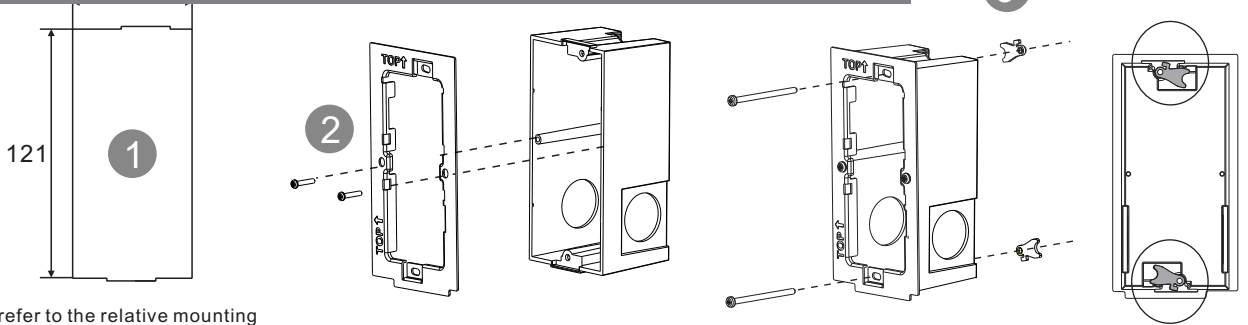
Vertical installation



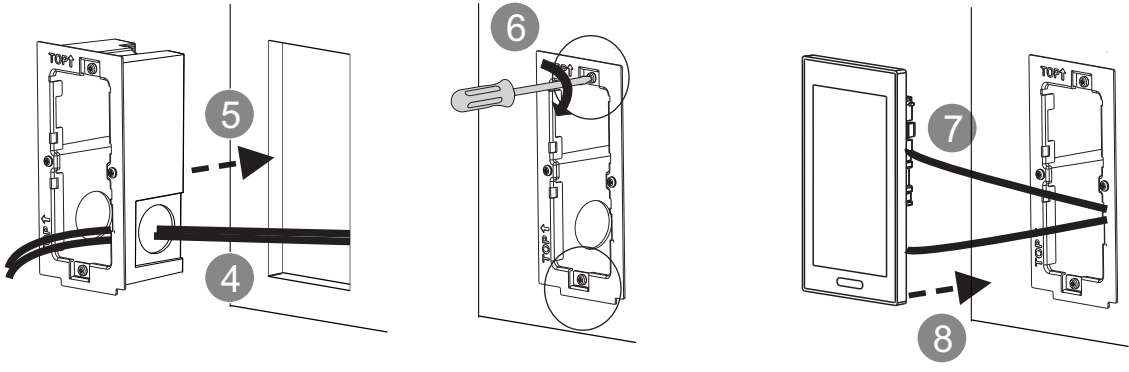
Horizontal installation



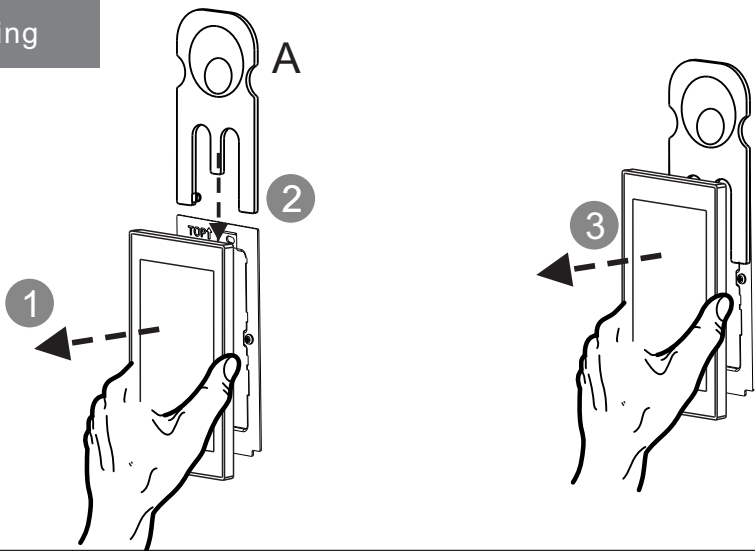
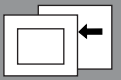
Cavity wall installation - Vertical installation as a sample (Unit:mm)



Please refer to the relative mounting sticker at the package shipped with the product.



Dismantling



A = TZW/U.0.1(1).CK