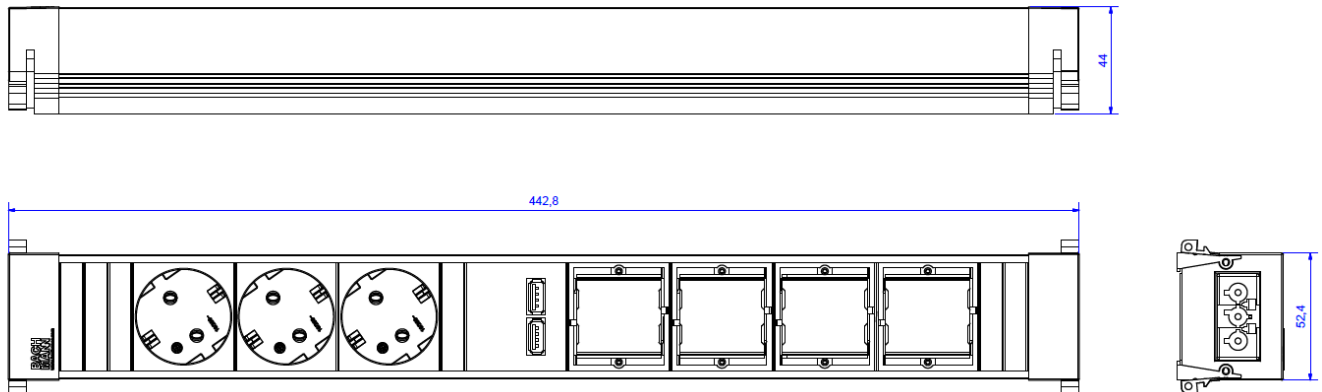


Skizze / Bild



<b>Conference 3xSchutzkontaktsteckdosen 1xUSB Doppelcharger 4xABD mit GST18/3 Ein- und Ausgang</b>	<b>Conference 3xGerman type sockets 1xdouble charger 4xcover for custom modules with GST18/3 input and output</b>
<b>Steckdosen:</b> <ul style="list-style-type: none"> <li>Nach IEC 60884, VDE 0620-1</li> <li>2-polig mit Schutzkontakt, mit Kinderschutz</li> <li>16A/3680W, AC250V, IP20, 35°</li> <li>Schwarz</li> </ul>	<b>Sockets:</b> <ul style="list-style-type: none"> <li>According IEC 60884, VDE 0620-1</li> <li>2-pole with earthing contact, incl. child protection</li> <li>16A/3680W, AC250V, IP20, 35°</li> <li>Black</li> </ul>
<b>USB Charger:</b> <ul style="list-style-type: none"> <li>3,1A / 5VDC</li> <li>Doppelcharger</li> </ul>	<b>USB Charger:</b> <ul style="list-style-type: none"> <li>3,1A / 5VDC</li> <li>Double charger</li> </ul>
<b>Custom Module:</b> <ul style="list-style-type: none"> <li>4x ABD für Custom Module</li> </ul>	<b>Custom Module:</b> <ul style="list-style-type: none"> <li>4x cover for custom modules</li> </ul>
<b>Anschluss:</b> <ul style="list-style-type: none"> <li>GST18/3 Stromein- und Ausgang</li> </ul>	<b>Connection:</b> <ul style="list-style-type: none"> <li>GST18/3 power in- and out</li> </ul>
<b>Profil:</b> <ul style="list-style-type: none"> <li>Eloxiertes Aluminium</li> </ul>	<b>Profile:</b> <ul style="list-style-type: none"> <li>Anodized aluminium</li> </ul>
<b>Kunststoff:</b> <ul style="list-style-type: none"> <li>PA 6 GF, schwarz</li> </ul>	<b>Plastic material:</b> <ul style="list-style-type: none"> <li>PA 6 GF, black</li> </ul>
<b>Endkappen:</b> <ul style="list-style-type: none"> <li>Genietet, nicht wiederanschießbar</li> </ul>	<b>Endcaps:</b> <ul style="list-style-type: none"> <li>With rivets, non rewirable</li> </ul>
<b>Abmessungen (Länge x Breite x Höhe) in mm:</b> <ul style="list-style-type: none"> <li>Gemäß Zeichnung</li> </ul>	<b>Measurements (length x width x height)</b> <ul style="list-style-type: none"> <li>According to drawing</li> </ul>
<b>Lieferform:</b> <ul style="list-style-type: none"> <li>Im Karton verpackt</li> </ul>	<b>Packing:</b> <ul style="list-style-type: none"> <li>In cartonbox</li> </ul>
<b>Lieferumfang:</b> <ul style="list-style-type: none"> <li>1x Steckdoseneinheit Conference</li> </ul>	<b>Extent of delivery:</b> <ul style="list-style-type: none"> <li>1x PDU CONFERENCE</li> </ul>