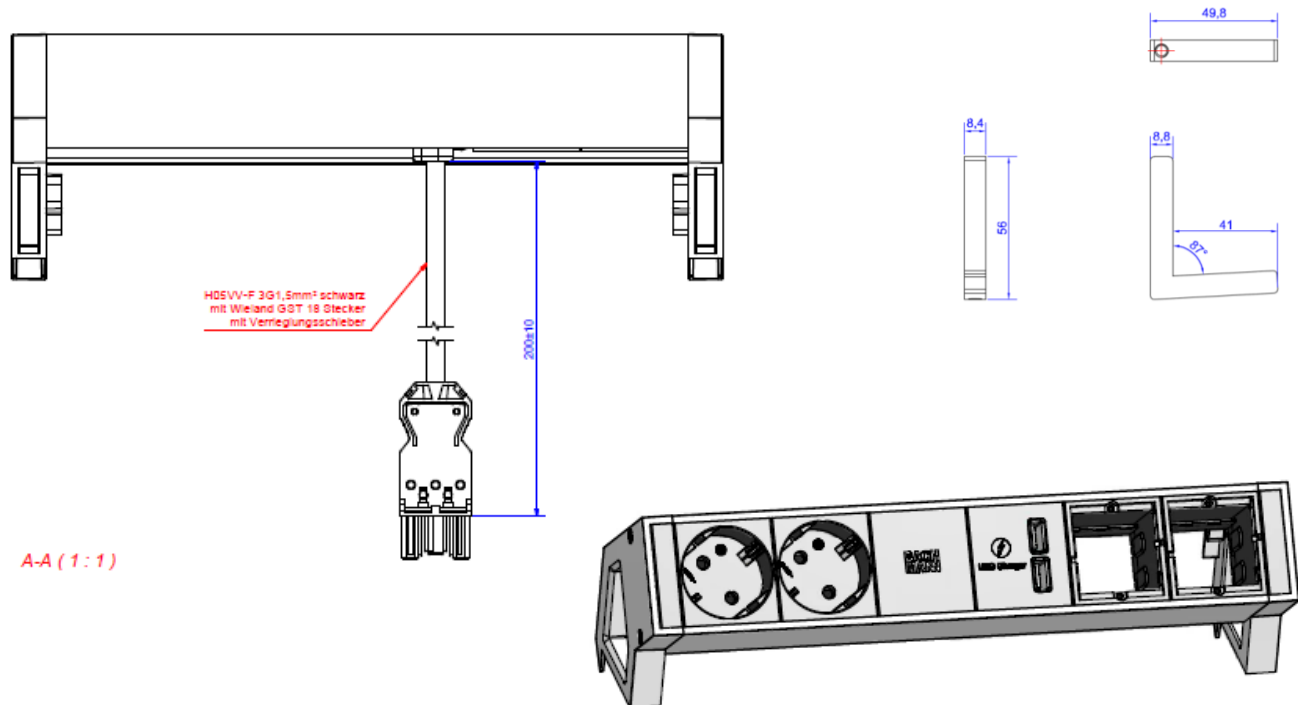


Skizze / Bild



<b>DESK2 2xSchutzkontaktsteckdosen 1xUSB Doppelcharger 2xABD mit 0,2m H05VV-F3G1,5mm² mit GST18/3 Stecker</b>	<b>DESK2 2xGerman type sockets 1xdouble charger 2xcover for custom modules with 0,2m H05VV-F3G1,5mm² with GST18/3 plug</b>
<b>Steckdosen:</b> <ul style="list-style-type: none"> <li>Nach IEC 60884, VDE 0620-1</li> <li>2-polig mit Schutzkontakt, mit Kinderschutz</li> <li>16A/3680W, AC250V, IP20, 35°</li> <li>schwarz</li> </ul>	<b>Steckdosen:</b> <ul style="list-style-type: none"> <li>According IEC 60884, VDE 0620-1</li> <li>2-pole with earthing contact, incl. child protection</li> <li>16A/3680W, AC250V, IP20, 35°</li> <li>Black</li> </ul>
<b>USB Charger:</b> <ul style="list-style-type: none"> <li>3,1A / 5VDC</li> <li>Doppelcharger</li> </ul>	<b>USB Charger:</b> <ul style="list-style-type: none"> <li>3,1A / 5VDC</li> <li>Double charger</li> </ul>
<b>Custom Module:</b> <ul style="list-style-type: none"> <li>2x ABD für Custom Module</li> </ul>	<b>Custom Module:</b> <ul style="list-style-type: none"> <li>2x cover for custom modules</li> </ul>
<b>Anschluss:</b> <ul style="list-style-type: none"> <li>Nicht wiederanschießbar, Endkappen genietet</li> <li>0,2m H05VV-F3G 1,5mm² schwarz mit Wieland GST18/3 Stecker schwarz verriegelbar</li> </ul>	<b>Connection:</b> <ul style="list-style-type: none"> <li>Non-rewireable, riveted endcaps</li> <li>0,2m H05VV-F3G 1,5mm² black with Wieland GST18/3 plug black lockable</li> </ul>
<b>Befestigung:</b> <ul style="list-style-type: none"> <li>Über Haltewinkel (schwarz)</li> </ul>	<b>Mounting:</b> <ul style="list-style-type: none"> <li>Via holding flanges (black)</li> </ul>
<b>Material:</b> <ul style="list-style-type: none"> <li>Kunststoff: PA6 GF 30 V1 , Glühdraht-Prüfung bis 850°C</li> <li>Profil und Rückenblende: Aluminium</li> </ul>	<b>Material:</b> <ul style="list-style-type: none"> <li>Plastic: PA6 GF 30 V1, glow wire resistant up to 850°C</li> <li>Profile and back cover: Aluminum</li> </ul>
<b>Lackierung (Endkappen, Profil und Rückenblende):</b> <ul style="list-style-type: none"> <li>INOX</li> </ul>	<b>Painting (endcaps, profile and back cover):</b> <ul style="list-style-type: none"> <li>INOX</li> </ul>
<b>Abmessungen:</b> <ul style="list-style-type: none"> <li>Gemäß Zeichnung</li> </ul>	<b>Measurements:</b> <ul style="list-style-type: none"> <li>According to drawing</li> </ul>
<b>Lieferform:</b> <ul style="list-style-type: none"> <li>In Kartonbox verpackt</li> </ul>	<b>Packing:</b> <ul style="list-style-type: none"> <li>In carton box</li> </ul>
<b>Lieferumfang:</b> <ul style="list-style-type: none"> <li>1x Steckdosenleiste</li> <li>2x Haltewinkel (Schwarz)</li> </ul>	<b>Extent of delivery:</b> <ul style="list-style-type: none"> <li>1x socket strip</li> <li>2x holding brackets (black)</li> </ul>